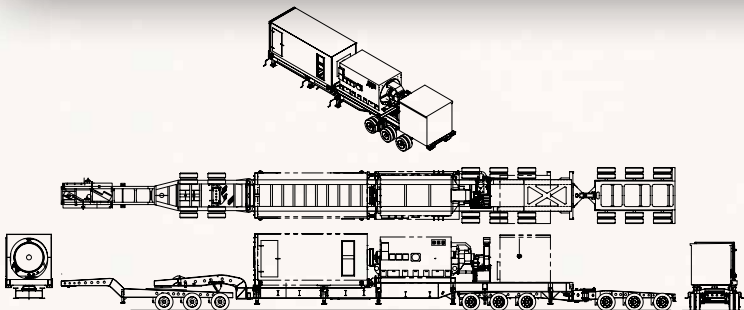
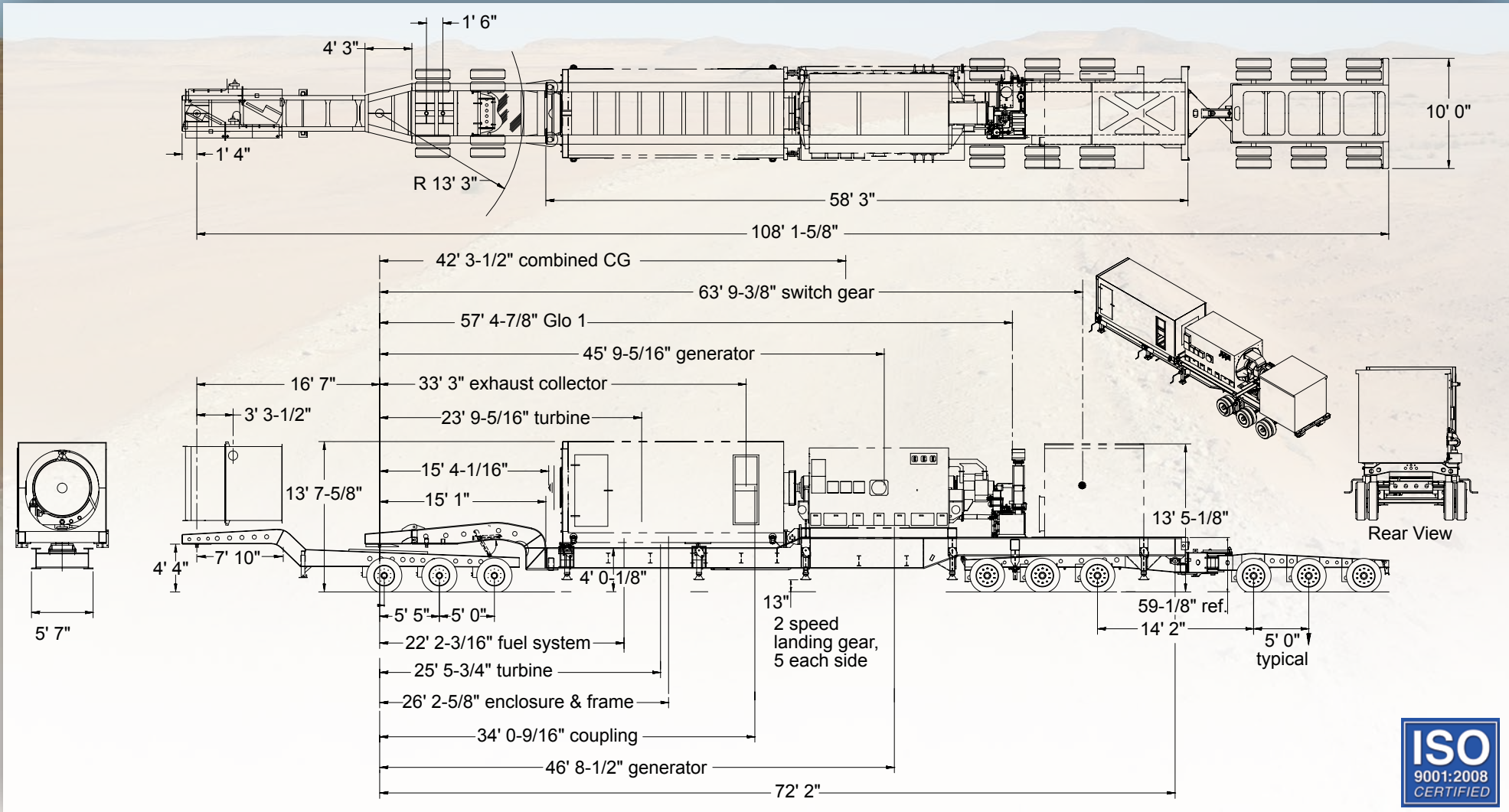


653 TRAILER SPEC SHEET



©2016 • Fontaine Military Products • 3405 Industrial Drive • Jasper, AL 35501
205.385.0935 • www.fontainemilitary.com

A Marmon Highway Technologies®/Berkshire Hathaway Company