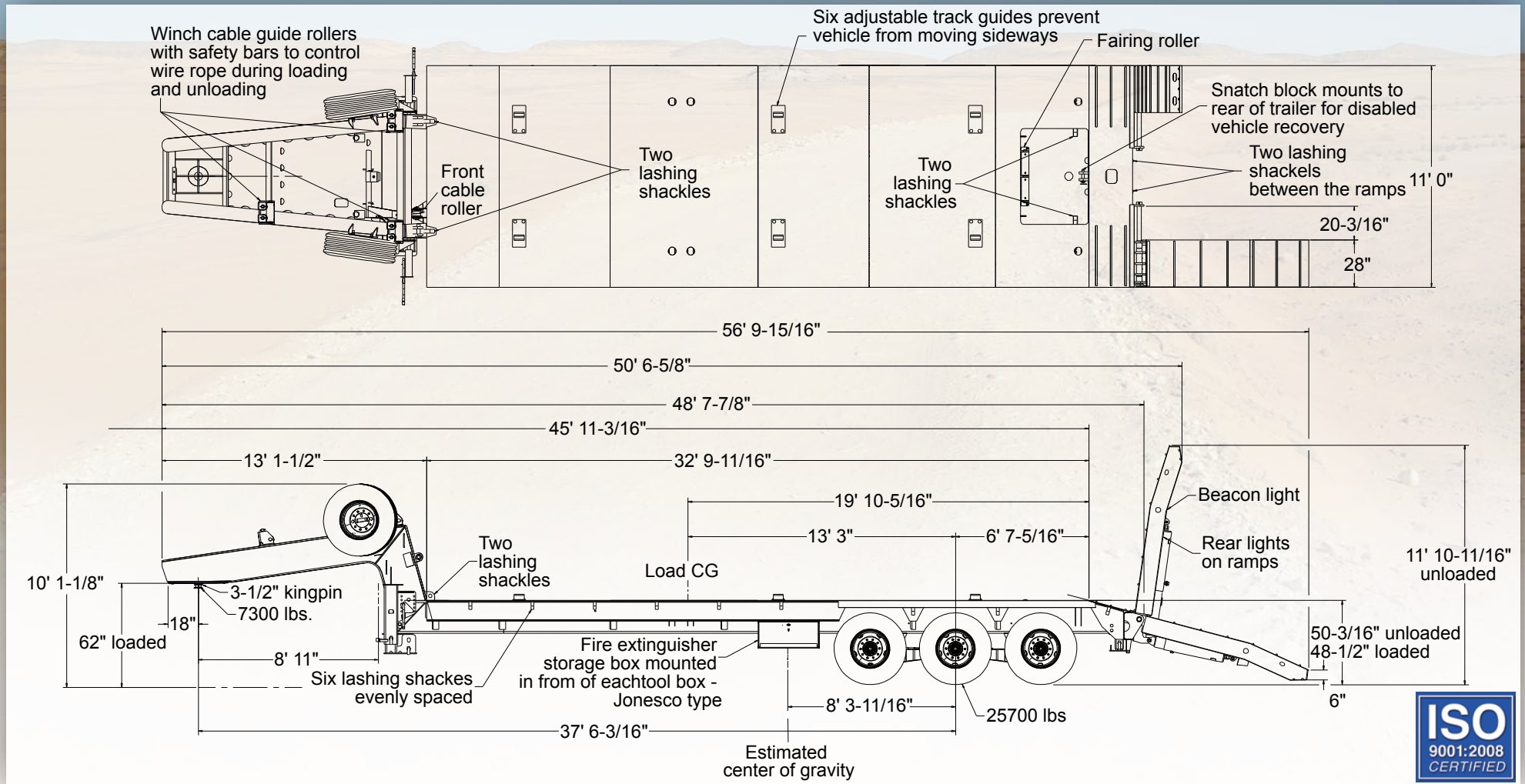


513NL TRAILER SPEC SHEET



- Weight:** Estimated at 33,000 lbs. with 7,300 lbs. @ the kingpin and 25,700 lbs. @ the center axle
- Paint:** CARC NATO Green
- Suspension:** Neway TR8900 90,000 lb. capacity
- Tires:** 315/80R 22.5 Continental with Run Flat installed (14 quan)
- Wheels:** 22.5 x 9.00 10-hole disc, 11-1/4" B.C., hub piloted (14 quan)
- Axles:** 5-3/4" dia. 30,000 lb. capacity each (3 quan)
- Brakes:** 16-1/2" x 7" air with spring brakes (12 quan)
- Lights:** EU 24 volt with 12-pin connector convoy light is located at the rear of the vehicle and shines down onto a 5" x 11" surface painted white. (4 quan)
- Tools:** Two 31.72 metric tonne jacks, crowbar
Four wooden chock blocks
Lug wrench with handle



©2016 • Fontaine Military Products • 3405 Industrial Drive • Jasper, AL 35501
205.385.0935 • www.fontainemilitary.com