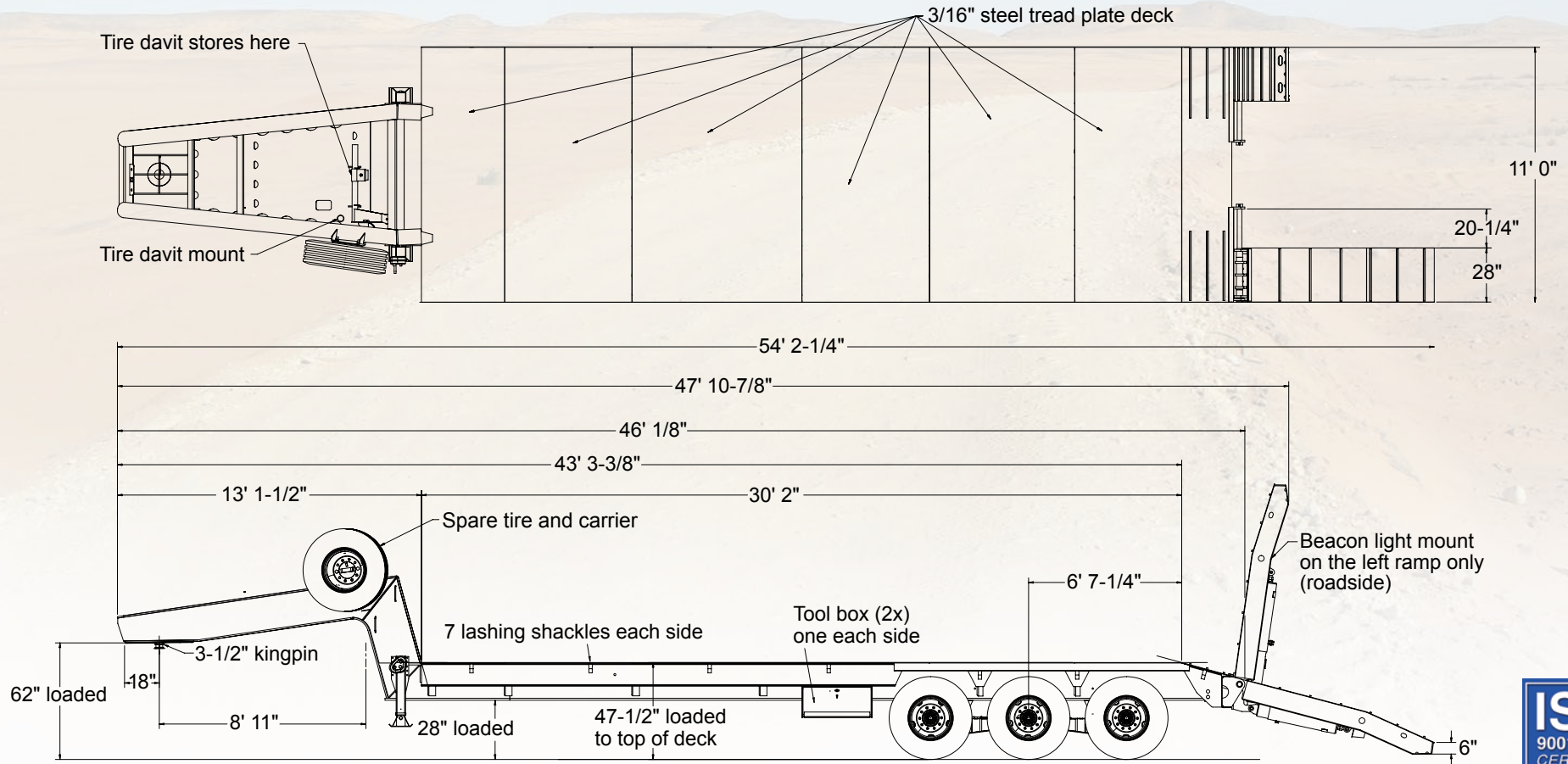


403N TRAILER SPEC SHEET



- Weight:** Estimated at 22,500 lbs for 11" wide trailer; 19,500 lbs for 8' 6" wide trailer
- Water tank:** Optional, mounted under deck outside of main beam
- Paint:** CARC per MIL-DTL-53039 color tan
- Suspension:** Neway TR8750 75,000 lb. capacity
- Tires:** 315/80R 22.5 load range J (one for spare)(13 quan)
- Wheels:** 22.5 x 9.00 10-hole disc, 11-1/4" B.C., hub piloted (one for spare)(13 quan)
- Axles:** 5" dia. 25,000 lb. capacity each (3 quan)
- Brakes:** 16-1/2" x 7" air with spring brakes (6 quan)
- Lights:** 24 volt military blackout with 12-pin connector, combination tail lights, clearance lights and warning beacon on ramp (4 quan)
- Tools:** Wooden wheel chocks (4 quan), Boxed end wrench (1 quan)
Wheel lug wrench & handle (1 quan), 35 ton hydraulic jacks (2 quan)
5/8" x 8' 0" chains with hook on each end (8 quan)
5/8" ratchet binders (8 quan)



©2016 • Fontaine Military Products • 3405 Industrial Drive • Jasper, AL 35501
205.385.0935 • www.fontainemilitary.com